

Thermostatic Valve

Filterstat

Typical applications

- Mixing
- Diverting

Key features and benefits

- Direct filter connection
- Integral differential pressure switch
- Integral oil filter manifold
- Mount in any position

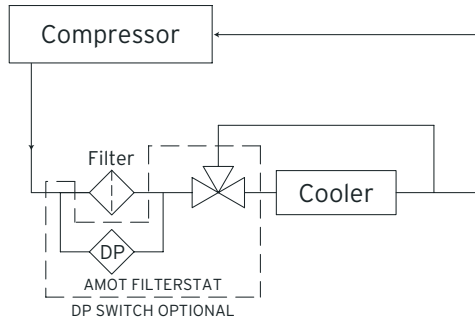


Filterstat Valve

Thermostatic Valve - Filterstat

Applications

Oil cooling system



The diagram on the left shows a typical installation of the Filterstat.

Specification

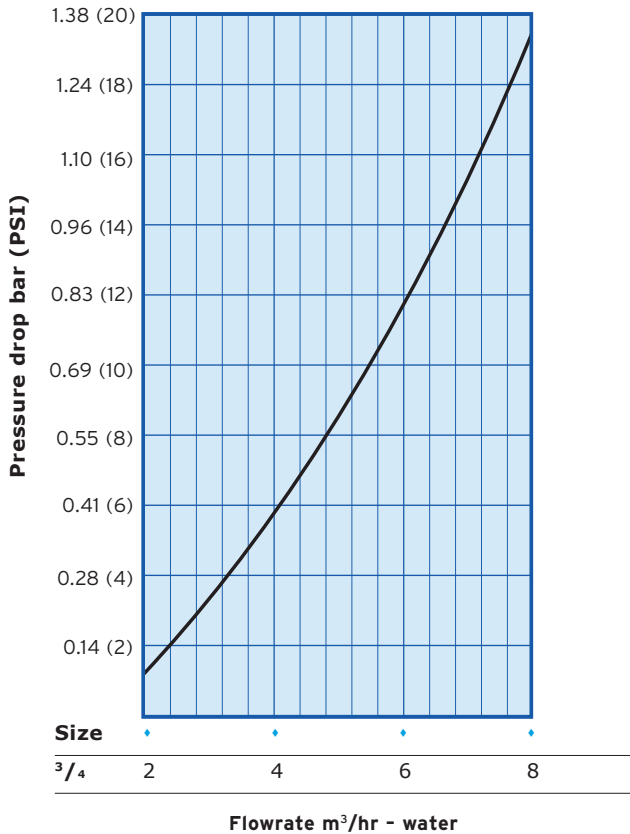
Flow rate	2 to 5.5 m ³ /hr	
Recommended pressure drop	0.14 to 0.5 bar	(2 to 7 PSI)
Body materials	Aluminium	
Ports	Below nominal temperature	Ports A and B connected
	Above nominal temperature	Ports A and C connected
Seal materials	Viton	
Valve sizes (nominal bore)	20mm (³ / ₄ "	
Port connections	Screwed	20mm (³ / ₄ " BSP, NPT, M26 x 1.5, JIS, SAE
Control temperatures	49 to 113°C	(see Element Characteristics Table)
Maximum working pressure	25 bar	(362 PSI)
Mounting position	Any orientation	
Switch specification	Delta P (rising)	1.7 bar (25 PSI +/- 2 PSI)
	Max P	25 bar
	Switch type	SPDT normally open as standard
	Max current	1.0A
	Max voltage	150VDC
	Max power	20W
	Electrical cord	Grey PVC casing over 3.24 AWG wires
		White (com)
		Red (N.O.)
		Black (N.C.)
	Length 1525mm (60")	

Please note that the DP switch can be removed and replaced without need for subsequent calibration or set-up.

Thermostatic Valve - Filterstat

Valve characteristics

Pressure drop

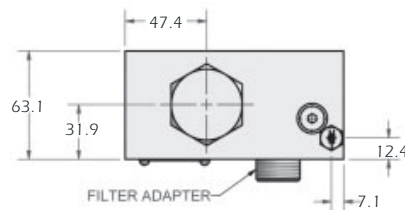
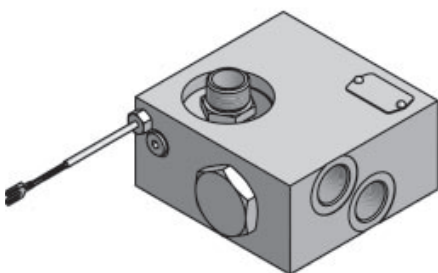


Element Characteristics

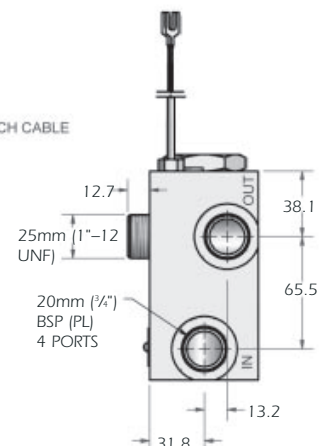
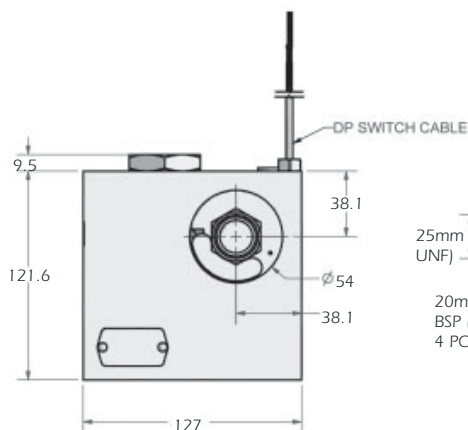
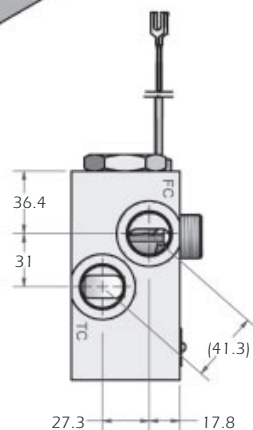
All temperatures in °C (°F)

Control temperature	Rated range	Max temperature continuous	Code
49 (120)	43-55 (110-131)	86 (187)	120
54 (130)	49-60 (120-140)	95 (203)	130
60 (140)	54-65 (130-150)	95 (203)	140
65 (150)	60-71 (140-160)	100 (212)	150
71 (160)	65-76 (150-170)	100 (212)	160
76 (170)	72-82 (163-180)	100 (212)	170
80 (175)	76-85 (170-185)	105 (221)	175
82 (180)	79-88 (175-190)	110 (230)	180
87 (190)	85-93 (185-200)	110 (230)	190
93 (200)	90-100 (194-212)	110 (230)	200
96 (205)	93-103 (200-218)	110 (230)	250
101 (215)	97-107 (205-225)	115 (239)	215
107 (225)	101-114 (214-237)	120 (248)	225
113 (235)	107-123 (225-253)	124 (257)	235

Valve dimensions



IN - INLET
TC - TO COOLER
FC - FROM COOLER
OUT - OUTLET



Weight 2.3 kg (5.1 lbs)

Dimensions in mm

Thermostatic Valve - Filterstat

How to order

Use the tables below to select the unique specification of your Filterstat Valve

Example Code	³ / ₄ FJA2	T	A	120	01	N	0	-AA	Code Description
Model & Revision Level									Model & Revision Level
	³ / ₄ FJA2								3/4" aluminum valve
Connections									Connections
	T								Threaded NPT to USAS B2.1
	U								Threaded BSP(PI) to BS21
	V								Threaded BSP (Tr) Japanese (JIS)
	W								Threaded to SAE J514h (straight thread o-ring seal)
	K								Threaded to M26 x 1.5
Filter Adapter									Filter Adapter
	A								25.4 mm (1") - 12 UNF
Control Temperature									Control Temperature
									See element characteristics table
Element Specification									Element Specification
					01				Standard element
					02				Plated with Viton seals
					03				Standard element with Viton o-rings
					04				Plated element with Neoprene o-rings
					05				Standard element with Neoprene o-rings
Leakhole Sizes mm (inches)									Leakhole Sizes mm (inches)
					N				None
					A				1.6 (1/16") standard
					B				2.4 (3/32")
					C				3.2 (1/8")
					D				0.8 (1/32")
Switch									Switch
					0				No DP switch
					1				With DP switch
Special Customer Requirements									Special Customer Requirements
								-AA	Standard
									Please contact us with any special requirements

Europe, Middle East and Africa

AMOT
Western Way
Bury St Edmunds
Suffolk, IP33 3SZ
England

Tel +44 (0) 1284 762222
Fax +44 (0) 1284 760256
Email info@amot.com

AMOT Controls GmbH
Rondenbarg 25
22525 Hamburg
Germany

Tel +49 (0) 40 8537 1298
Fax +49 (0) 40 8537 1331
Email germany@amot.com

AMOT Russia
#34 Shabolovka Street
Building 2
Moscow 115419
Russia

Tel +7 495 617 12 93
Fax +7 495 913 97 65
Email russia@amot.com

Asia and Australasia

AMOT Shanghai
Rm A8-671 Jiahua Business Center
808 Hongqiao Road
Shanghai 200030
China

Tel +86 (0) 21 6447 9708
Fax +86 (0) 21 6447 9718
Email shanghai@amot.com

AMOT Singapore
10 Eunos Road 8 #12-06
Singapore Post Centre
Singapore 408600

Tel +65 6408 6265
Fax +65 6293 3307
Email singapore@amot.com

Americas

AMOT USA
8824 Fallbrook Dr
Houston, TX 77064
USA

Tel +1 (281) 940 1800
Fax +1 (713) 559 9419
Email general: sales@amotusa.com
orders: orders@amotusa.com
customer service: cs@amotusa.com